

L J LJ Metering pump

- LJ
- J
- 50Mpa
- 8 4000L/h
- 60 400
- ± 1
- LJ
- 50Mpa
- 6000mm²/s
- 0 100

The LJ series metering pumps are newly developed metering pumps which have advantages of compact structure, high reliability and adaptability besides technical superiority of J series metering pumps, suitable for corrosive, erosive, inflammable, explosive, and/or high solids content fluids in such fields as petroleum, chemical, medicine, metallurgy, environmental protection, food, etc.

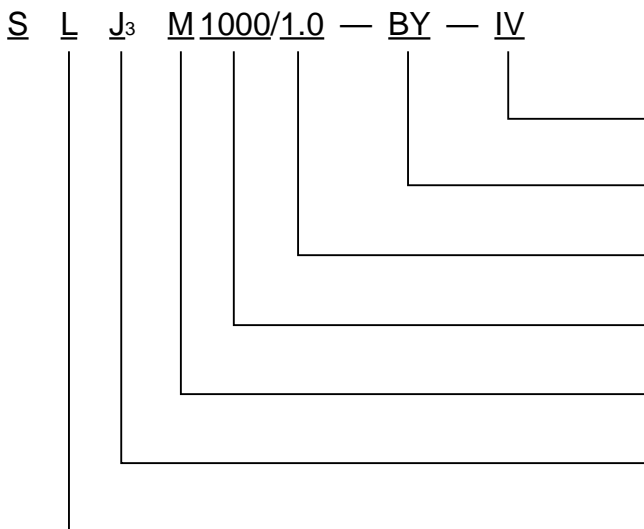
- Two main types, the plunger and the diaphragm. The plunger metering pump offers discharge pressure up to 50 MPa; the diaphragm metering pump is provided with diaphragm rupture signaling preventing the metered and hydraulic fluids from intermixing in case of diaphragm rupture. The J series pumps can offer capacities 8 ~ 4000 l/h and discharge pressure up to 50 MPa, and transfer fluid of viscosity up to 6000 mm²/s and temperatures from -60 to 400 .

- Accurate adjustment of capacity: The pump can be stepless regulated over a range of 0 ~ 100% stroke with a metering accuracy of $\pm 1\%$ at the rated operating condition and at the maximum stroke.

- With vertically mounted motor, the pump has a compact structure and a small footprint.

- Opposed pump heads bring about a striking results of energy conservation and less pressure pulsation, get twice the capacity with a

Model Explanation For example



LJ • 1.2Mpa 40

• LJ
Y ()

slight increase in motor power, and function as two pumps for delivery of different liquids and low cost of equipment, meeting the requirements of synchronous dosing of chemicals.

- Optional mechanical or hydraulic diaphragm pump head is available for applications of discharge pressure less than 1.2 MPa and pumping temperature below 40 , inexpensive but practical.

- Special-purpose metering pumps which were developed from the LJ series pumps can be supplied such as high temperature, high viscosity, suspension, and liquefied gas pumps. Complete ranges of safety valve, accumulator (damper), back-pressure valve, Y-strainer, agitator, and flow-rate calibrator of various materials are available.

1 Code of Main Materials for Wetted Parts

Code	III	IV	V	B	I	VII	VIII	IX	X		S1
Grade	2Cr13	1Cr18Ni9Ti	1Cr18Ni12Mo2Ti	316L	PVC	Monel	Hastelloy B	1Cr18Ni12Mo3Ti	Hastelloy C	Ti	ABS

2 Code of Special Function

Code	R1	R2	R3	GN	XF	A	YQ	BH	BY	T	TP
Appl.	T ISO	150 < T < 250	150 < T < 400	High viscosity	Suspension	Food	LNG	Diaphragm rupture signaling		AC speed control	Frequency control
								With pressure probe	(With conductivity probe)		

1

"

2

3

Y

4

Points for attention when ordering

1. Please fill in the Metering Pump Datasheet herein, as an attachment of a purchase contract, when ordering or give clear indication of special requirement in the contract, with the exception of the conventional product.

2. Scope of supply includes pump, motor, coupling, accompanying spare parts, special tool, and technical documents.

3. Mating flange, anchor bolt, pipe fittings, safety valve, damper, back-pressure valve, Y-strainer, agitator, flow calibrator, etc. if required, should be specified in a contract, and priced separately.

4. For the double-head pump, different flow rates must be combined at the same speed.

重庆水泵厂		计量泵数据表 (续表)		用户名称																																																																																																																									
				工程名称																																																																																																																									
				标准规范	GB/T7782-1996或API675																																																																																																																								
设备名称		泵型号		<input type="checkbox"/> 询价 <input type="checkbox"/> 投标 <input type="checkbox"/> 采购																																																																																																																									
合同号		泵型式		第	页 共 页																																																																																																																								
△材 料																																																																																																																													
24	缸体	柱塞	柱塞衬套	阀弹簧																																																																																																																									
25	阀座	隔膜	填料	垫片																																																																																																																									
26	阀(种)	活塞杆	活塞环																																																																																																																										
△电 动 机																																																																																																																													
27	生产厂			<input type="checkbox"/> 防爆等级																																																																																																																									
28	型号			<input type="checkbox"/> 防护等级																																																																																																																									
29	电源	V/3ph/50Hz		<input type="checkbox"/> 绝缘等级																																																																																																																									
<table border="1" style="width:100%; border-collapse: collapse;"> <tr> <td>31</td> <td>进线方式</td> <td colspan="2"><input type="checkbox"/>电缆 <input type="checkbox"/>钢管布线</td> <td colspan="2"><input type="checkbox"/>试验</td> </tr> <tr> <td>32</td> <td>机械运转试验</td> <td colspan="2"><input type="checkbox"/>见证 <input type="checkbox"/>非见证</td> <td colspan="2"></td> </tr> <tr> <td rowspan="2">33</td> <td rowspan="2">水压试验</td> <td colspan="2"><input type="checkbox"/>见证 <input type="checkbox"/>非见证</td> <td colspan="2">试验压力 MPaG</td> </tr> <tr> <td colspan="4"></td> </tr> <tr> <td>34</td> <td><input type="checkbox"/>特殊要求</td> <td colspan="4"></td> </tr> </table>						31	进线方式	<input type="checkbox"/> 电缆 <input type="checkbox"/> 钢管布线		<input type="checkbox"/> 试验		32	机械运转试验	<input type="checkbox"/> 见证 <input type="checkbox"/> 非见证				33	水压试验	<input type="checkbox"/> 见证 <input type="checkbox"/> 非见证		试验压力 MPaG						34	<input type="checkbox"/> 特殊要求																																																																																																
31	进线方式	<input type="checkbox"/> 电缆 <input type="checkbox"/> 钢管布线		<input type="checkbox"/> 试验																																																																																																																									
32	机械运转试验	<input type="checkbox"/> 见证 <input type="checkbox"/> 非见证																																																																																																																											
33	水压试验	<input type="checkbox"/> 见证 <input type="checkbox"/> 非见证		试验压力 MPaG																																																																																																																									
34	<input type="checkbox"/> 特殊要求																																																																																																																												
<table border="1" style="width:100%; border-collapse: collapse;"> <tr> <td colspan="6" style="text-align: right;"><input type="checkbox"/>供货项</td> </tr> <tr> <td>35</td> <td><input type="checkbox"/>泵</td> <td colspan="2"></td> <td colspan="2"><input type="checkbox"/>随机备件</td> </tr> <tr> <td>36</td> <td><input type="checkbox"/>电动机</td> <td colspan="2"></td> <td colspan="2"><input type="checkbox"/>专用工具</td> </tr> <tr> <td>37</td> <td><input type="checkbox"/>变频器</td> <td colspan="2"></td> <td colspan="2"><input type="checkbox"/>过滤器</td> </tr> <tr> <td>38</td> <td><input type="checkbox"/>联轴器与护罩</td> <td colspan="2"></td> <td colspan="2"><input type="checkbox"/>背压阀</td> </tr> <tr> <td>39</td> <td><input type="checkbox"/>底座</td> <td colspan="2"></td> <td colspan="2"><input type="checkbox"/>安全阀</td> </tr> <tr> <td>40</td> <td><input type="checkbox"/>地脚螺栓</td> <td colspan="2"></td> <td colspan="2"><input type="checkbox"/>止回阀</td> </tr> <tr> <td>41</td> <td><input type="checkbox"/>进出口配对法兰</td> <td colspan="2"></td> <td colspan="2"><input type="checkbox"/>进出口垫片</td> </tr> <tr> <td colspan="6" style="text-align: right;">△出厂资料</td> </tr> <tr> <td>42</td> <td><input type="checkbox"/>合格证</td> <td colspan="2"></td> <td colspan="2"><input type="checkbox"/>使用说明书</td> </tr> <tr> <td colspan="6"> </td> </tr> <tr> <td>43</td> <td>泵</td> <td>kg</td> <td>底座</td> <td colspan="2"></td> </tr> <tr> <td>44</td> <td>电机</td> <td>kg</td> <td>最大维修件</td> <td colspan="2"></td> </tr> <tr> <td colspan="6" style="text-align: right;">说 明</td> </tr> <tr> <td>45</td> <td colspan="5">1、() 由买方填写 () 由制造厂填写 △双方共同填</td> </tr> <tr> <td>46</td> <td colspan="5">2、用户未填写部分均视为普通要求，按 GB/T7782-1996</td> </tr> <tr> <td>47</td> <td colspan="5"></td> </tr> <tr> <td>48</td> <td colspan="5"></td> </tr> <tr> <td>49</td> <td colspan="5"></td> </tr> <tr> <td>50</td> <td colspan="5"></td> </tr> </table>						<input type="checkbox"/> 供货项						35	<input type="checkbox"/> 泵			<input type="checkbox"/> 随机备件		36	<input type="checkbox"/> 电动机			<input type="checkbox"/> 专用工具		37	<input type="checkbox"/> 变频器			<input type="checkbox"/> 过滤器		38	<input type="checkbox"/> 联轴器与护罩			<input type="checkbox"/> 背压阀		39	<input type="checkbox"/> 底座			<input type="checkbox"/> 安全阀		40	<input type="checkbox"/> 地脚螺栓			<input type="checkbox"/> 止回阀		41	<input type="checkbox"/> 进出口配对法兰			<input type="checkbox"/> 进出口垫片		△出厂资料						42	<input type="checkbox"/> 合格证			<input type="checkbox"/> 使用说明书								43	泵	kg	底座			44	电机	kg	最大维修件			说 明						45	1、() 由买方填写 () 由制造厂填写 △双方共同填					46	2、用户未填写部分均视为普通要求，按 GB/T7782-1996					47						48						49						50					
<input type="checkbox"/> 供货项																																																																																																																													
35	<input type="checkbox"/> 泵			<input type="checkbox"/> 随机备件																																																																																																																									
36	<input type="checkbox"/> 电动机			<input type="checkbox"/> 专用工具																																																																																																																									
37	<input type="checkbox"/> 变频器			<input type="checkbox"/> 过滤器																																																																																																																									
38	<input type="checkbox"/> 联轴器与护罩			<input type="checkbox"/> 背压阀																																																																																																																									
39	<input type="checkbox"/> 底座			<input type="checkbox"/> 安全阀																																																																																																																									
40	<input type="checkbox"/> 地脚螺栓			<input type="checkbox"/> 止回阀																																																																																																																									
41	<input type="checkbox"/> 进出口配对法兰			<input type="checkbox"/> 进出口垫片																																																																																																																									
△出厂资料																																																																																																																													
42	<input type="checkbox"/> 合格证			<input type="checkbox"/> 使用说明书																																																																																																																									
43	泵	kg	底座																																																																																																																										
44	电机	kg	最大维修件																																																																																																																										
说 明																																																																																																																													
45	1、() 由买方填写 () 由制造厂填写 △双方共同填																																																																																																																												
46	2、用户未填写部分均视为普通要求，按 GB/T7782-1996																																																																																																																												
47																																																																																																																													
48																																																																																																																													
49																																																																																																																													
50																																																																																																																													

CHONGQING PUMP INDUSTRY CO. LTD.		METERING PUMP DATA SHEET		Client		
				Project		
				Item No.		
Equipment		Model		Qty.		
Contract No.		Type		Page No.:	/	Rev.:

OPERATION CONDITION (EACH PUMP)

LJ₃
Table of Performance Parameter, Plunger Metering Pump LJ₃

Model	Rated capacity L/h	Rated pressure MPa	Plunger dia. mm	Stroke length mm	Pump speed min-1	Motor		Inlet dia. mm	Outlet dia. mm	Weight kg					
						Model	Power kW								
LJ ₃ -8/50.0	8	25-50.0	8	32	102	Y(YB)802-4V1	0.75	8	8	190					
LJ ₃ -10/50.0	10	50.0			126	Y(YB)90L-4V1	1.5								
LJ ₃ -10/40.0		20-40.0	126		Y(YB)802-4V1	0.75									
LJ ₃ -13/50.0	13	40-50.0	10		102	Y(YB)90L-4V1	1.5								
LJ ₃ -13/32.0		16-32.0			102	Y(YB)802-4V1	0.75								
LJ ₃ -16/50.0	16	32-50.0	10		126	Y(YB)90L-4V1	1.5								
LJ ₃ -16/25.0		10.0-25			126	Y(YB)802-4V1	0.75								
LJ ₃ -20/40.0	20	20.0-40.0	13		102	Y(YB)90L-4V1	1.5								
LJ ₃ -20/20.0		10-20.0			102	Y(YB)802-4V1	0.75								
LJ ₃ -25/40.0	25	20-40.0	13		126	Y(YB)90L-4V1	1.5								
LJ ₃ -25/16.0		8.0-16.0			126	Y(YB)802-4V1	0.75								
LJ ₃ -32/32.0	32	16-32.0	16		102	Y(YB)90L-4V1	1.5				10	10	210		
LJ ₃ -32.12.5		6.3-12.5				Y(YB)802-4V1	0.75								
LJ ₃ -40/25.0	40	12.5-25	16		126	Y(YB)90L-4V1	1.5								
LJ ₃ -40/10.0		5.0-10.0				Y(YB)802-4V1	0.75								
LJ ₃ -50/20.0	50	10-20.0	20		102	Y(YB)90L-4V1	1.5								
LJ ₃ -50/8.0		4.0-8.0				Y(YB)802-4V1	0.75								
LJ ₃ -63/16.0	63	8.0-16.0	20		126	Y(YB)90L-4V1	1.5								
LJ ₃ -63/6.3		3.2-6.3				Y(YB)802-4V1	0.75								
LJ ₃ -80/12.5	80	6.3-12.5	25		102	Y(YB)90L-4V1	1.5	15	15	210					
LJ ₃ -80/5.0		2.5-5.0				Y(YB)802-4V1	0.75								
LJ ₃ -100/10.0	100	5.0-10.0	25		126	Y(YB)90L-4V1	1.5								
LJ ₃ -100/4.0		2.0-4.0				Y(YB)802-4V1	0.75								
LJ ₃ -125/8.0	125	4.0-8.0	32		102	Y(YB)90L-4V1	1.5								
LJ ₃ -125/3.2		1.6-3.2		Y(YB)802-4V1		0.75									
LJ ₃ -160/6.3	160	3.2-6.3	32	126	Y(YB)90L-4V1	1.5									
LJ ₃ -160/2.5		1.3-2.5			Y(YB)802-4V1	0.75									
LJ ₃ -200/5.0	200	2.5-5.0	40	102	Y(YB)90L-4V1	1.5	20				20	230			
LJ ₃ -200/2.0		1.0-2.0			Y(YB)802-4V1	0.75									
LJ ₃ -250/4.0	250	2.0-4.0	40	126	Y(YB)90L-4V1	1.5									
LJ ₃ -250/1.6		0.8-1.6			Y(YB)802-4V1	0.75									
LJ ₃ -320/3.2	320	1.6-3.2	50	102	Y(YB)90L-4V1	1.5									
LJ ₃ -320/1.3		0.6-1.3			Y(YB)802-4V1	0.75									
LJ ₃ -400/2.5	400	1.3-2.5	50	126	Y(YB)90L-4V1	1.5									
LJ ₃ -400/1.0		0.5-1.0			Y(YB)802-4V1	0.75									
LJ ₃ -500/2.0	500	1.0-2.0	65	102	Y(YB)90L-4V1	1.5		25	25	230					
LJ ₃ -500/0.8		0.4-0.8			Y(YB)802-4V1	0.75									
LJ ₃ -630/1.6	630	0.8-1.6	65	126	Y(YB)90L-4V1	1.5									
LJ ₃ -630/0.63		0.4-0.63			Y(YB)802-4V1	0.75									
LJ ₃ -800/1.3	800	0.63-1.3	80	102	Y(YB)90L-4V1	1.5	32				32	230			
LJ ₃ -800/0.5		0.1-0.5			Y(YB)802-4V1	0.75									
LJ ₃ -1000/1.0	1000	0.5-1.0	80	126	Y(YB)90L-4V1	1.5									
LJ ₃ -1000/0.4		0.1-0.4			Y(YB)802-4V1	0.75									
LJ ₃ -1250/0.8	1250	0.1-0.8	100	102	Y(YB)90L-4V1	1.5							40	40	230
LJ ₃ -1600/0.63	1600	0.1-0.63	100	126											

LJ₃-M
Table of Performance Parameter, Diaphragm Metering Pump LJ₃-M

Model	Rated capacity L/h	Rated pressure MPa	Plunger dia. mm	Stroke length mm	Pump speed min-1	Motor		Inlet dia. mm	Outlet dia. mm	Weight kg
						Model	Power kW			
LJ ₃ -M20/20.0	20	10-20.0	16	32	102	Y(YB)802-4V1	0.75	10	10	220
LJ ₃ -M25/20.0	25	20.0			126	Y(YB)90L-4V1	1.5			
LJ ₃ -M25/16.0		8.0-16.0				Y(YB)802-4V1	0.75			
LJ ₃ -M32/20.0	32	16-20.0	18		102	Y(YB)90L-4V1	1.5			
LJ ₃ -M32/12.5		6.3-12.5				Y(YB)802-4V1	0.75			
LJ ₃ -M40/20.0	40	12.5-20.0	18		126	Y(YB)90L-4V1	1.5			
LJ ₃ -M40/10.0		5.0-10.0				Y(YB)802-4V1	0.75			
LJ ₃ -M50/20.0	50	10.0-20.0	21		102	Y(YB)90L-4V1	1.5	15	15	
LJ ₃ -M50/8.0		4.0-8.0				Y(YB)802-4V1	0.75			
LJ ₃ -M63/16.0	63	8.0-16.0			126	Y(YB)90L-4V1	1.5			
LJ ₃ -M63/6.3		3.2-6.3				Y(YB)802-4V1	0.75			
LJ ₃ -M80/12.5	80	6.3-12.5	25		102	Y(YB)90L-4V1	1.5			
LJ ₃ -M80/5.0		2.5-5.0		Y(YB)802-4V1		0.75				
LJ ₃ -M100/10.0	100	5.0-10.0		126	Y(YB)90L-4V1	1.5				
LJ ₃ -M100/4.0		2.0-4.0			Y(YB)802-4V1	0.75				
LJ ₃ -M125/8.0	125	4.0-8.0	32	102	Y(YB)90L-4V1	1.5	20	20		
LJ ₃ -M125/3.2		1.6-3.2			Y(YB)802-4V1	0.75				
LJ ₃ -M160/6.3	160	3.2-6.3		126	Y(YB)90L-4V1	1.5				
LJ ₃ -M160/2.5		1.3-2.5			Y(YB)802-4V1	0.75				
LJ ₃ -M200/5.0	200	2.5-5.0	40	102	Y(YB)90L-4V1	1.5				
LJ ₃ -M200/2.0		1.0-2.0			Y(YB)802-4V1	0.75				
LJ ₃ -M250/4.0	250	2.0-4.0		126	Y(YB)90L-4V1	1.5				
LJ ₃ -M250/1.6		0.8-1.6			Y(YB)802-4V1	0.75				
LJ ₃ -M320/3.2	320	1.6-3.2	50	102	Y(YB)90L-4V1	1.5	25	25		
LJ ₃ -M320/1.3		0.6-1.3			Y(YB)802-4V1	0.75				
LJ ₃ -M400/2.5	400	1.3-2.5		126	Y(YB)90L-4V1	1.5				
LJ ₃ -M400/1.0		0.5-1.0			Y(YB)802-4V1	0.75				
LJ ₃ -M500/2.0	500	1.0-2.0	65	102	Y(YB)90L-4V1	1.5				
LJ ₃ -M500/0.8		0.4-0.8			Y(YB)802-4V1	0.75				
LJ ₃ -M630/1.6	630	0.8-1.6		126	Y(YB)90L-4V1	1.5				
LJ ₃ -M630/0.6		0.4-0.6			Y(YB)802-4V1	0.75				
LJ ₃ -M800/1.3	800	0.6-1.3	80	102	Y(YB)90L-4V1	1.5	32	32		
LJ ₃ -M800/0.5		0.1-0.5			Y(YB)802-4V1	0.75				
LJ ₃ -M1000/1.0	1000	0.5-1.0		126	Y(YB)90L-4V1	1.5				
LJ ₃ -M1000/0.4		0.1-0.4			Y(YB)802-4V1	0.75				
LJ ₃ -M1250/0.8	1250	0.1-0.8	100	102	Y(YB)90L-4V1	1.5	40	40		
LJ ₃ -M1600/0.6	1600	0.1-0.6		126						

LJ₃

	DN	D	D ₁	D ₂	do	h ₁	h ₂	h ₃	I	L	L ₁	H	H ₁	H ₂	A ₁	A ₂	A ₃	B	B ₁	B ₂	B ₃	d ₁		
LJ ₃ -8/25.0-50.0	8	100	70	18	13.5	170	170	43	80	605														
LJ ₃ -10/20.0-50.0																								
LJ ₃ -13/16.0-50.0																								
LJ ₃ -16/12.5-50.0																								
LJ ₃ -20/10.0-40.0																								
LJ ₃ -25/8.0-40.0																								
LJ ₃ -32/6.3-32.0	10	125	85	22	17.5	178	178	50	618	605														
LJ ₃ -40/5.0-20.0																								
LJ ₃ -50/4.0-20.0																								
LJ ₃ -63/3.2-16.0	100	70	24	13.5	201	201	55	100	628	160	548	150	25	365	415	245	453	185	235	288	19			
LJ ₃ -80/2.5-12.5																								
LJ ₃ -100/2.0-10.0																								
LJ ₃ -125/1.6-8.0																								
LJ ₃ -160/1.3-6.3																								
LJ ₃ -200/1.0-5.0																								
LJ ₃ -250/0.8-4.0	20	105	75	30	213	213	60	633	645															
LJ ₃ -320/0.6-3.2																								
LJ ₃ -400/0.5-2.5																								
LJ ₃ -500/0.4-2.0	25	115	85	35	245	245	60	633	645															
LJ ₃ -630/0.4-1.6	32	140	100	42	17.5	271	271	65	645															
LJ ₃ -800/0.1-1.3																								
LJ ₃ -1000/0.1-1.0																								
LJ ₃ -1250/0.1-0.8	40	165	125	50	18.5	284	284	69	115	673														
LJ ₃ -1600/0.1-0.6																								

LJ₃ M

Table of Outline & Installation Dimensions, Diaphragm Metering Pump LJ₃-M

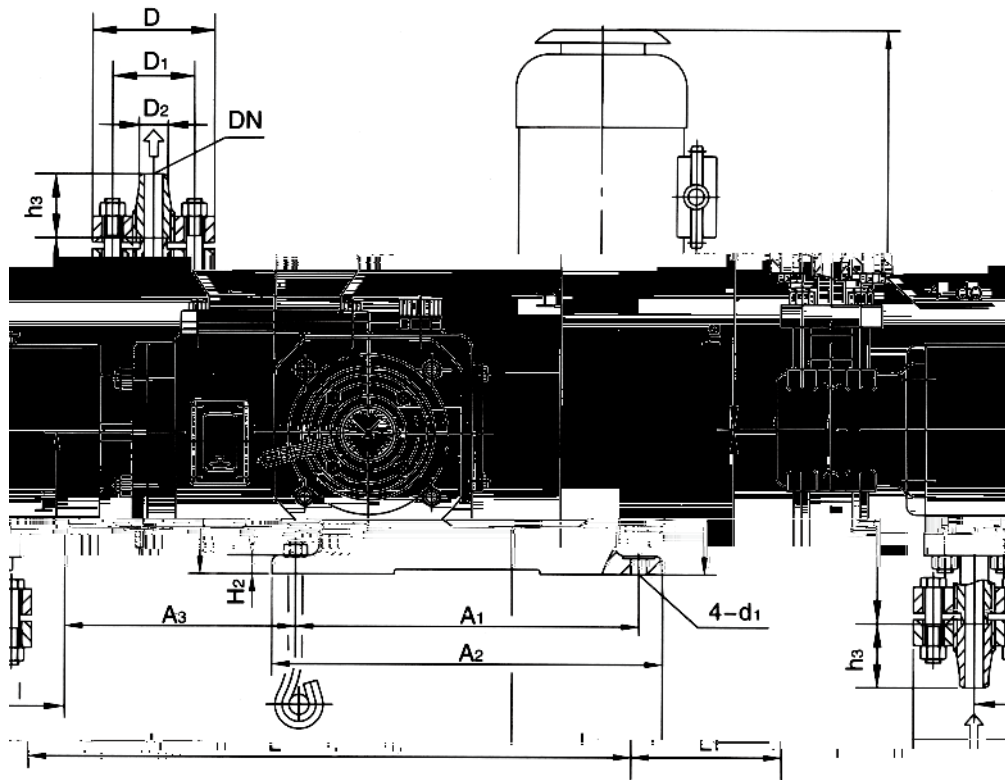
	DN	D	D ₁	D ₂	do	h ₁	h ₂	h ₃	I	L	L ₁	H	H ₁	H ₂	A ₁	A ₂	A ₃	B	B ₁	B ₂	B ₃	d ₁					
LJ ₃ -MF20/10-20	10	125	85	22	17.5	240	240	50	138	675																	
LJ ₃ -MF25/8.0-20						238	238		138	675																	
LJ ₃ -MF32/6.3-20						15	105		75	24														228	228	153	680
LJ ₃ -MF40/5.0-20																										142	670
LJ ₃ -MF50/4.0-20.0	20	105	75	30	13.5	238	238	55	120	648	160	548	150	25	365	415	245	453	185	235	288	19					
LJ ₃ -MF63/3.2-16.0																											
LJ ₃ -MF80/2.5-12.5																											
LJ ₃ -MF100/2.0-10.0	25	115	85	35	232	232	60	132	665																		
LJ ₃ -MF125/1.6-8.0																											
LJ ₃ -MF160/1.3-6.3																											
LJ ₃ -MF200/1.0-5.0																											
LJ ₃ -MF250/0.8-4.0	32	140	100	42	17.5	282	282	65	151	695																	
LJ ₃ -MF320/0.6-3.2																											
LJ ₃ -MF400/0.5-2.5																											
LJ ₃ -MF500/0.4-2.0	40	170	125	50	22	323	323	68	201	761																	
LJ ₃ -MF630/0.4-1.6																											
LJ ₃ -MF800/0.1-1.3																											
LJ ₃ -MF1000/0.1-1.0																											
LJ ₃ -MF1250/0.1-0.8																											
LJ ₃ -MF1600/0.1-0.6																											

	DN	D	D ₁	D ₂	do	h ₁	h ₂	h ₃	I	L	L ₁	H	H ₁	H ₂	A ₁	A ₂	A ₃	B	B ₁	B ₂	B ₃	d ₁
LJ ₄ -32/32.0-50.0	10	90	65	22	17.5	184	184	50	90	745	210	721	220	30	520	570	275	587	260	310	347	22
LJ ₄ -40/32.0-50.0										768												
LJ ₄ -50/25.0-50.0																						
LJ ₄ -63/20.0-40.0																						
LJ ₄ -80/16.0-40.0	15	130	90	24	17.5	192	192	55	90	765	210	721	220	30	520	570	275	587	260	310	347	22
LJ ₄ -100/12.5-32.5																						
LJ ₄ -125/10.0-25.0																						
LJ ₄ -160/8.0-20.0																						
LJ ₄ -200/6.3-16.0	20	130	90	30	17.5	215	215	68	110	800	210	721	220	30	520	570	275	587	260	310	347	22
LJ ₄ -250/5.0-12.5																						
LJ ₄ -320/4.0-10.0																						
LJ ₄ -400/3.2-8.0																						
LJ ₄ -500/2.5-6.3	25	140	100	35	17.5	245	245	60	125	818	210	721	220	30	520	570	275	587	260	310	347	22
LJ ₄ -630/2.0-5.0																						
LJ ₄ -800/1.6-4.0	32	155	110	42	22	296	296	65	110	805	210	721	220	30	520	570	275	587	260	310	347	22
LJ ₄ -1000/1.3-3.2																						
LJ ₄ -1250/1.0-2.5	40	170	125	50	17.5	316	316	68	110	803	210	721	220	30	520	570	275	587	260	310	347	22
LJ ₄ -1600/0.8-2.0																						
LJ ₄ -2000/0.4-1.6																						
LJ ₄ -2500/0.1-1.3																						
LJ ₄ -3200/0.1-1.0	50	165	60	17.5	319	319	68	125	818	818	210	721	220	30	520	570	275	587	260	310	347	22
LJ ₄ -4000/0.1-0.8																						

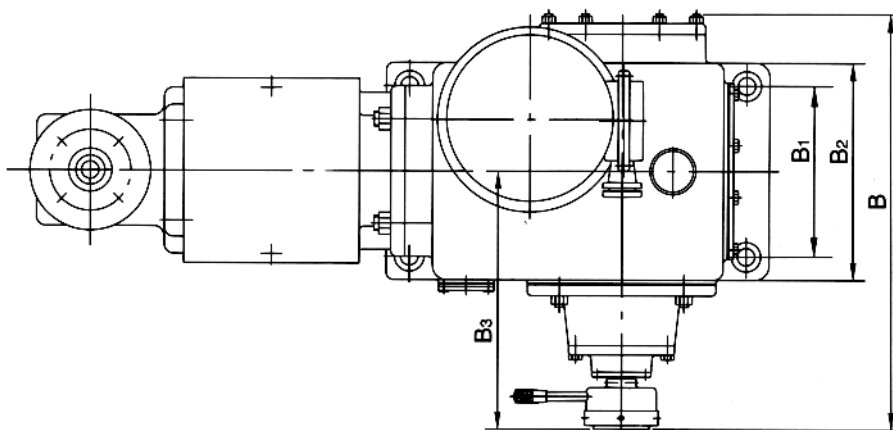
	DN	D	D ₁	D ₂	do	h ₁	h ₂	h ₃	I	L	L ₁	H	H ₁	H ₂	A ₁	A ₂	A ₃	B	B ₁	B ₂	B ₃	d ₁
LJ ₄ -M50/20.0	15	130	90	24	17.5	208	208	50	100	775	210	721	220	30	520	570	275	587	260	310	347	22
LJ ₄ -M63/20.0																						
LJ ₄ -M80/16.0-20.0																						
LJ ₄ -M100/12.5-16.0																						
LJ ₄ -M125/10.0-12.5																						
	20	130	90	30	17.5			5			210	721	220	30	520	570	275	587	260	310	347	22
	25	140	100	35	17.5						210	721	220	30	520	570	275	587	260	310	347	22
	32	155	110	42	22						210	721	220	30	520	570	275	587	260	310	347	22

LJ

Outline & Installation Dimensions Diagram, LJ Series Metering Pumps

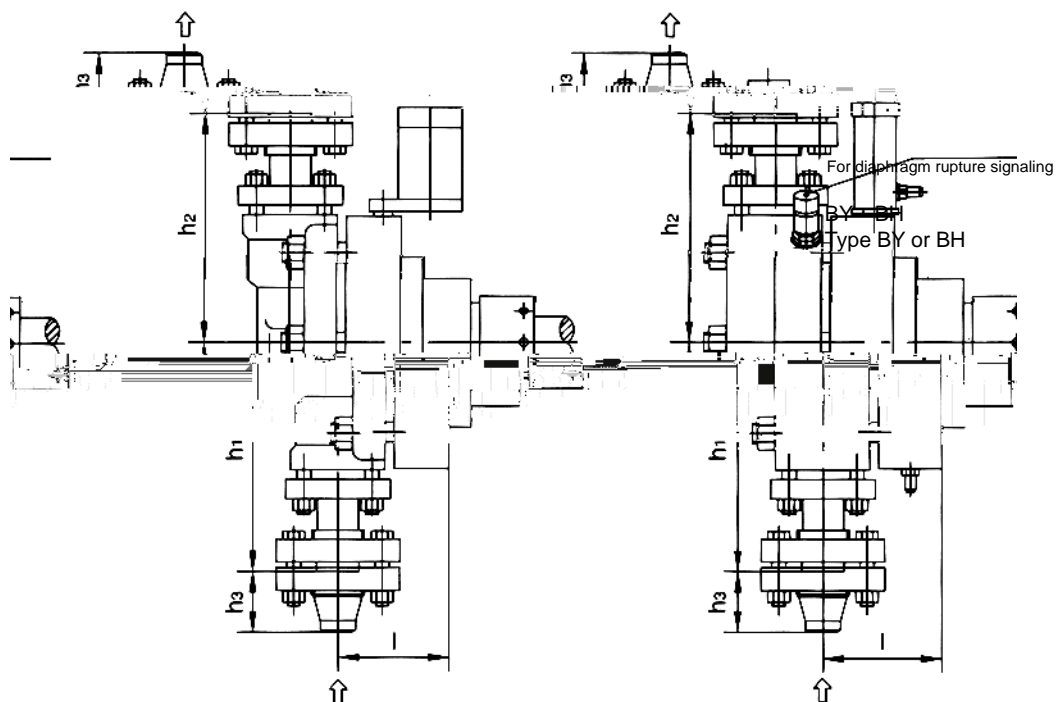


Plunger Metering Pump



LJ

Outline & Installation Dimensions Diagram, LJ Series Metering Pumps

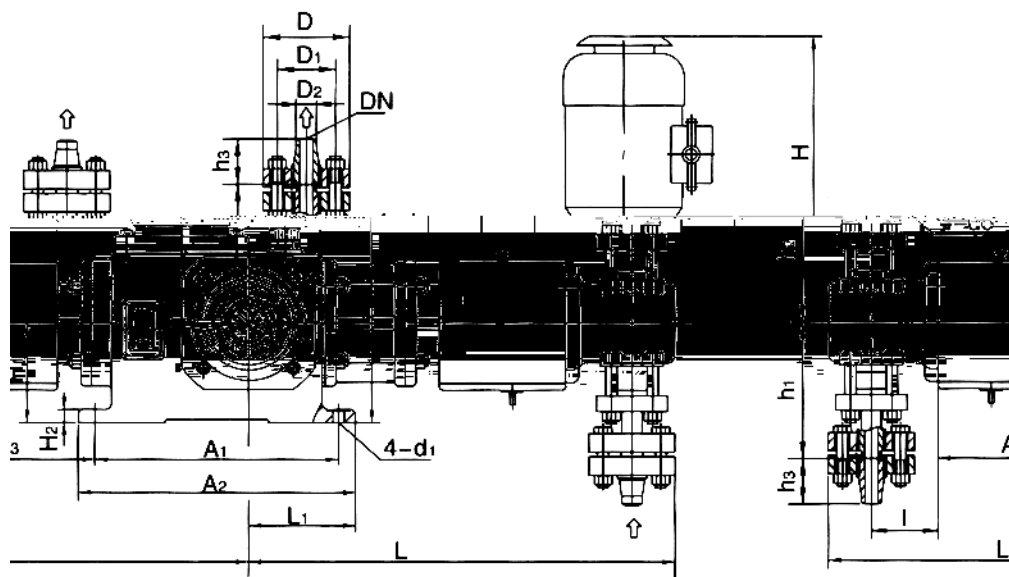


M

Type M Diaphragm Metering Pump Head

MF

Type MF Diaphragm metering Pump Head



SLJ

SLJ Series Double-head Metering Pump